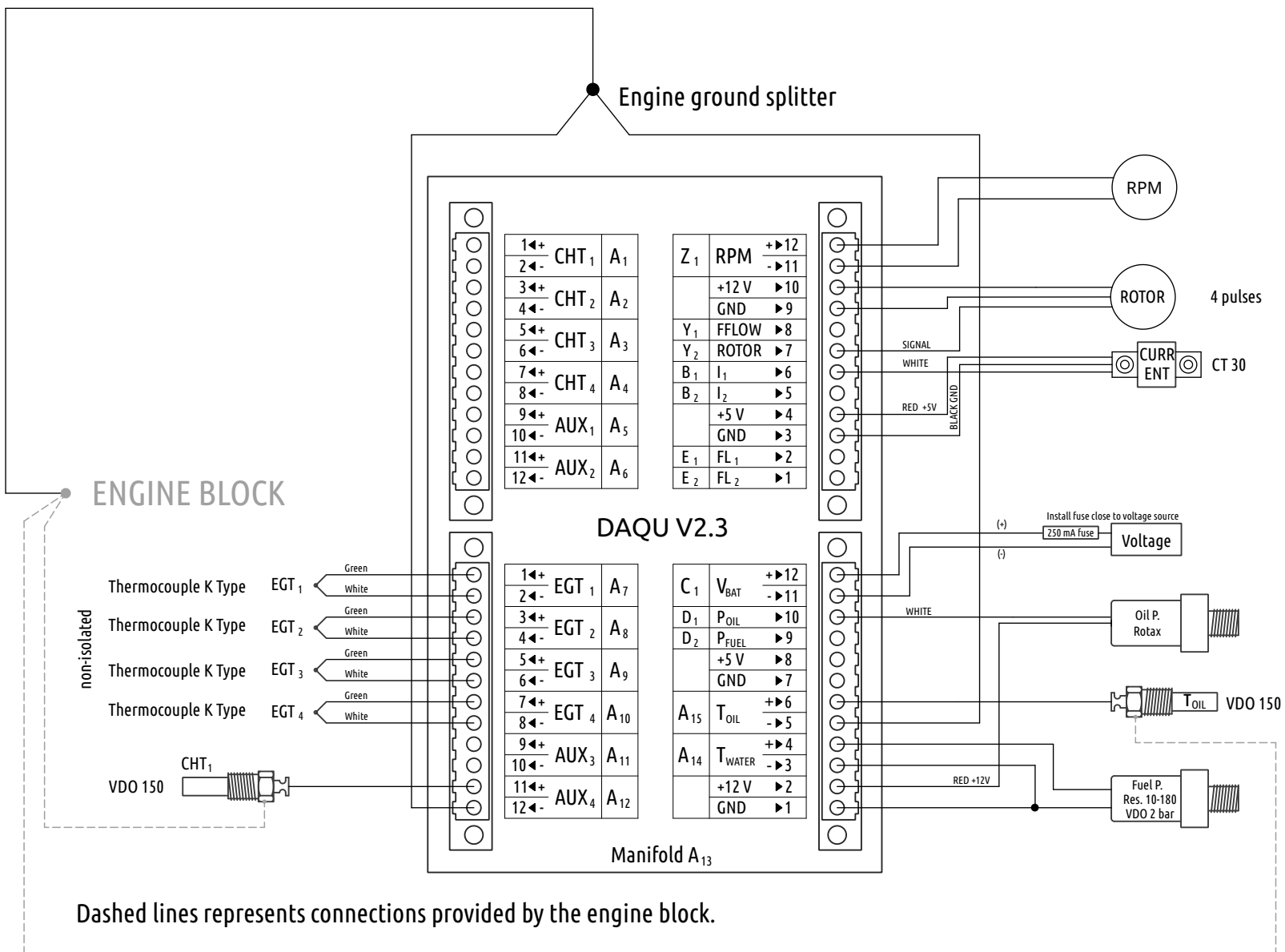


Important: This connection schematics and the associated configuration form are just suggestions based on the data available to us. Your sensors may be different and they may require different schematics and form. Please refer to the Daqu manual for more details.

Use a separate thick wire for connecting engine block and ground splitter.  
Do not connect ground splitter to any other ground inside aeroplane!



Kanardia d.o.o.

Lopata 24 a  
SI-3000 Celje, Slovenia

Date: August 2019

Scale: N-A

Title: ELA Gyrocopter

Revision: 1

Product: Daqu 2.3